

Bulletin Number	TB0021
Issue Date	January 21, 2009
Availability Date	N/A
NAFTA Compliant	N/A
Issuing Facility	Tekonsha, MI

Installing Electric Brake Controls

Controls: All

Vehicles: 2005-2008 Volkswagen Touareg 2005-2008 Porsche Cayenne

Issue: Installing a brake control on a 2005-2008 Volkswagen Touareg or Porsche Cayenne

When installing a brake control on a 2005-2008 Volkswagen Touareg or Porsche Cayenne, using the factory brake control connector under the dash, you will need to obtain the connector housing and wire/terminal assembly in order to assemble the brake control harness. The following parts can be purchased from a Volkswagen dealer.



Connector Housing #1J0-972-782
Quantity required (1)



Wire/terminal assembly #000-979-228
Quantity required (2)

The 2 wire/terminal assemblies will have to be cut in half to produce 4 wire assemblies. The cavities on the connector housing are numbered and the harness can be assembled as shown on page 2.

Please contact Cequent Performance Products Customer Service or your Sales Representative for additional information and details on pricing.

Electrical • 101 Spires Parkway • Tekonsha, MI 49092 • (800) 325-5860 • Fax (517) 767-4707
Trailer • P.O. Box 8, 1050 Indianhead Drive • Mosinee, WI 54455 • (715) 693-1700 • Fax (715) 693-1799

www.cequentperformanceproducts.com

Bulletin Number	TB0021
Issue Date	January 21, 2009
Availability Date	N/A
NAFTA Compliant	N/A
Issuing Facility	Tekonsha, MI

Wire position In connector	Brake control Wire color	Function	Wire color on vehicle side of connector
1	White	Ground	Brown
2	Black	12 volt	Red/Yellow
3 See Note Below	Red	Brake lamp signal	Black/Red
4	Blue	Trailer brake output	Blue

To locate the connector under the dash, you first have to remove the lower appearance panel. This will require removing (2) Torx head screws. (See Fig. 1) The brake control connector will be to the left of the opening and wrapped in Gray foam. (See Fig. 2)

Note: If installing a Prodigy® or P3®, you may experience an erratic display on the brake control. To avoid or correct this issue, do not connect the Red wire from the brake control to the connector above. Instead, see page 3 for instructions on obtaining a brake light signal.



Fig. 1



Fig. 2

Please contact Cequent Performance Products Customer Service or your Sales Representative for additional information and details on pricing.

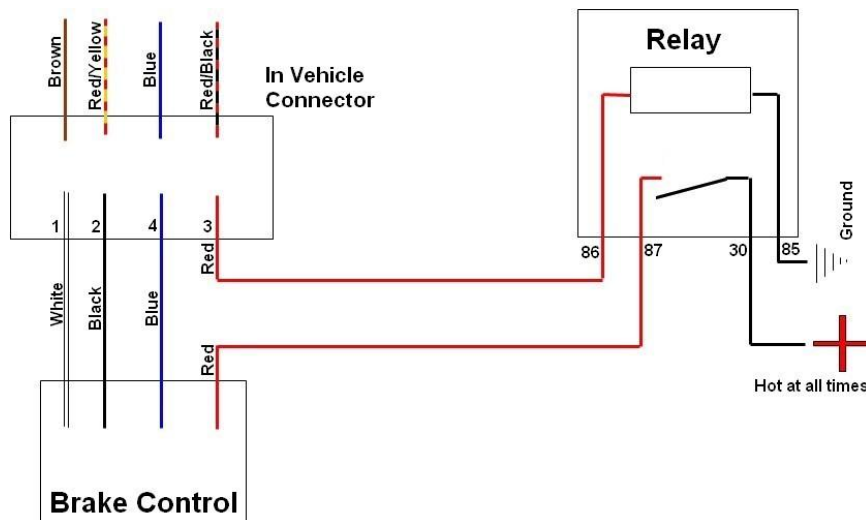
Electrical • 101 Spires Parkway • Tekonsha, MI 49092 • (800) 325-5860 • Fax (517) 767-4707
 Trailer • P.O. Box 8, 1050 Indianhead Drive • Mosinee, WI 54455 • (715) 693-1700 • Fax (715) 693-1799
www.cequentperformanceproducts.com

Bulletin Number	TB0021
Issue Date	January 21, 2009
Availability Date	N/A
NAFTA Compliant	N/A
Issuing Facility	Tekonsha, MI

When installing a Prodigy® or P3®, you will need to obtain locally, a 12 volt normally open relay.

Wire the relay as follows. See diagram below

1. Connect the ground terminal (85) of the relay to a know good ground under the dash.
2. Connect the trigger terminal (86) of the relay to pin #3 of the brake control connector.
3. Connect the red wire from the brake control to the load terminal (87) of the relay.
4. Connect the source voltage terminal (30) to a 12 volt source, this wire should have a 5 amp fuse installed in-line.


WARNING

Complete the installation per the electric brake control manufacturer's instructions and mount the unit as directed. Perform test procedures as indicated.

Please contact Cequent Performance Products Customer Service or your Sales Representative for additional information and details on pricing.

Electrical • 101 Spires Parkway • Tekonsha, MI 49092 • (800) 325-5860 • Fax (517) 767-4707
 Trailer • P.O. Box 8, 1050 Indianhead Drive • Mosinee, WI 54455 • (715) 693-1700 • Fax (715) 693-1799

www.cequentperformanceproducts.com